



Lightweight version
Handset with press-to-talk button
Handset rest with hookswitch

Technical specification

Housing.....	shock-proof plastic housing, self extinguishing acc. to UL 94 V-0
Colour.....	black
Weight handset (without cable).....	approx. 205 g
handset and rest.....	approx. 495 g
Cable.....	6-core PUR-coiled cord, straight length approx. 1.2 m
Degree of protection.....	IP 30
Temperature range (operation).....	-25 °C up to +60 °C
Acceptable relative humidity.....	≤ 93 %

Electroacoustic specification

Microphone

Electro-acoustic principle.....	electret
Directional characteristic.....	omnidirectional
Close-talking sensitivity.....	44 mV/Pa adjustable ±10%, $R_0=680 \Omega$, $f=1 \text{ kHz}$, distance 6 mm

Handset Power supply

Operating voltage.....	6 V up to 28 V, dc
Current drain.....	6 mA up to 28 mA

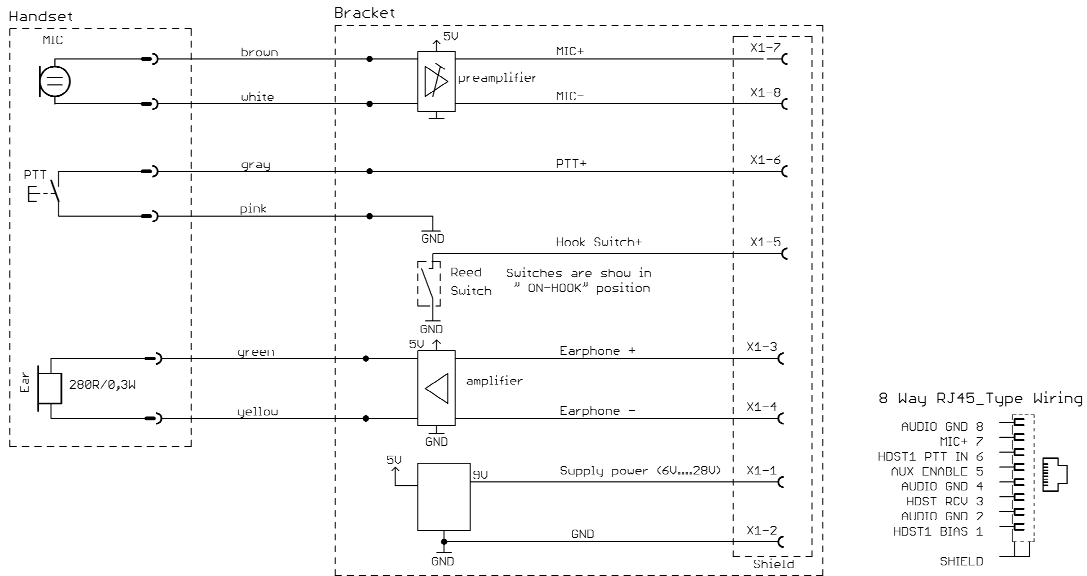
Receiver with Amplifier

Amplifier:

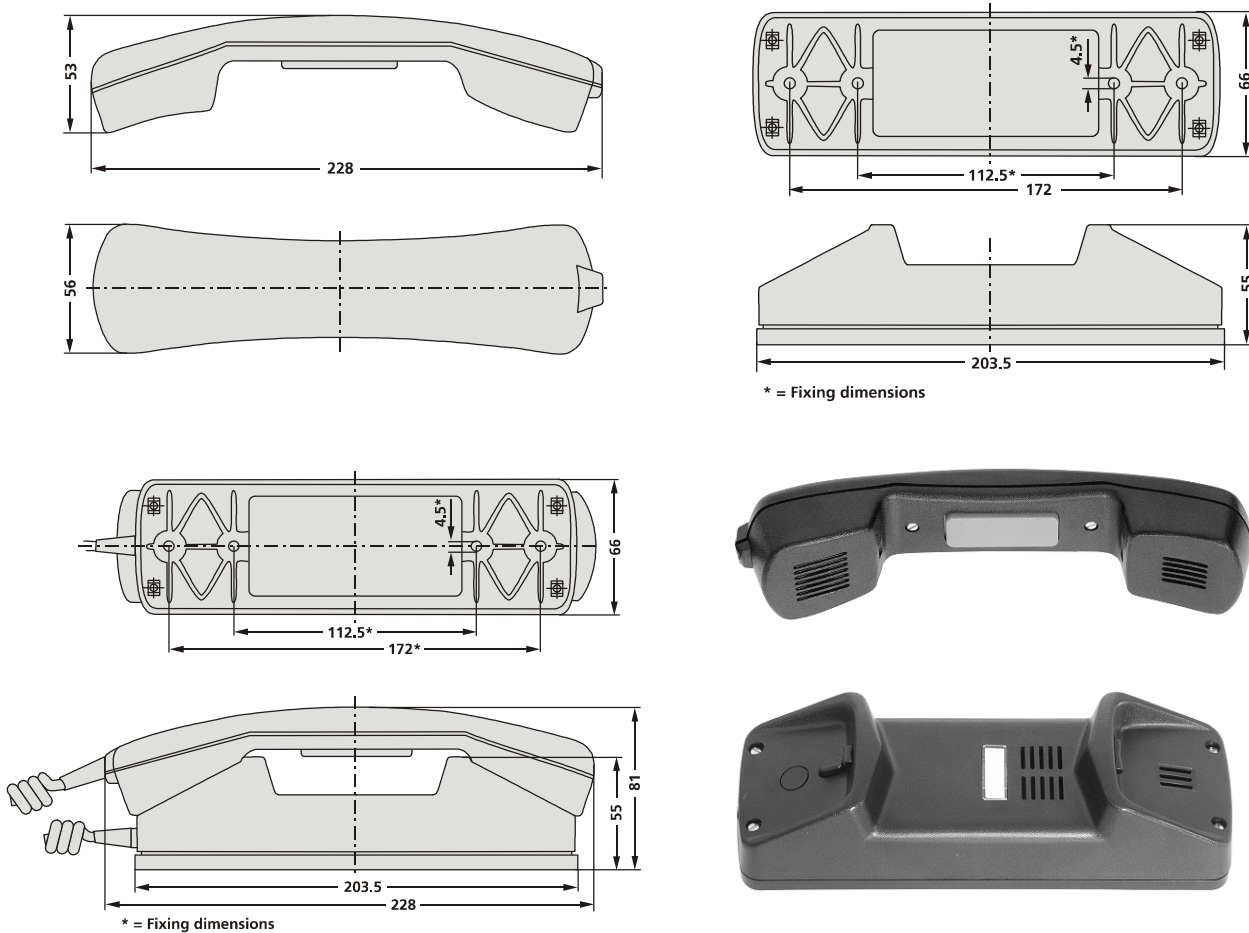
Differential Input Resistance.....	16 k Ω
Sound pressure level.....	114 dB ± 3 dB, rel, 1 mW= 168mV, coupler NBS-9A

Receiver

Electro-acoustic principle.....	dynamic
DC resistance.....	280 Ω
Nominal power handling capability.....	0.3 W



Dimensions



Order details

Handset, coiled cord and rest

Part No. P6283